



CHECK VALVE SPRING LOADED BRASS / STAINLESS STEEL

APPLICATION
Suitable for water, oil, gases and others non-abrasive media
(Refer to corrosion resistance table for valve materials selection).

SPECIFICATION
End Connection: Screwed End BSPT Female Thread
Pressure Rating: 16 Bar maximum
Working Temperature: Up to 80°C (Brass)
Up to 180°C (Stainless Steel)
Conforms: **BS EN 13445**

MATERIALS

| PARTS | FIG. 4SL8 | FIG. 4SV |
|------------------|-----------------|------------------|
| 1. Body | Brass | St. Steel SS 316 |
| 2. Stem | Brass | St. Steel SS 316 |
| 3. Disc | NBR Rubber | PTFE |
| 4. Disc Plate | Brass | St. Steel SS 316 |
| 5. Disc Retainer | Brass | St. Steel SS 316 |
| 6. Spring | Stainless Steel | St. Steel SS 316 |
| 7. Seat | Brass | St. Steel SS 316 |
| 8. Cap | Brass | St. Steel SS 316 |

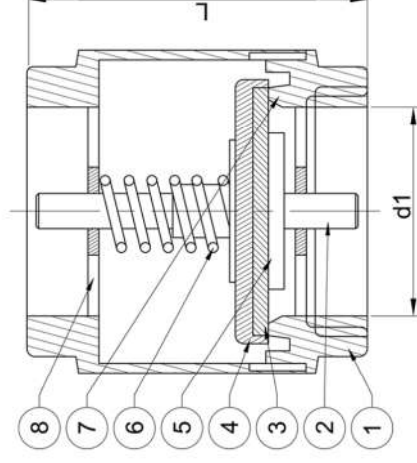


FIG 4SV



FIG 4SL

DIMENSIONS (mm)

| Size | 1/2 | 3/4 | 1 | 1 1/4 | 1 1/2 | 2 | 2 1/2 | 3 | 4 |
|---------|-----|-----|----|-------|-------|----|-------|-----|-----|
| L (4SL) | 48 | 48 | 54 | 54 | 68 | 77 | 93 | 102 | 115 |
| d1 | 15 | 20 | 25 | 32 | 40 | 50 | 65 | 80 | 100 |
| L (4SV) | 61 | - | - | - | - | - | - | - | - |

*The specifications are subject to change without further notice