



## APPLICATION

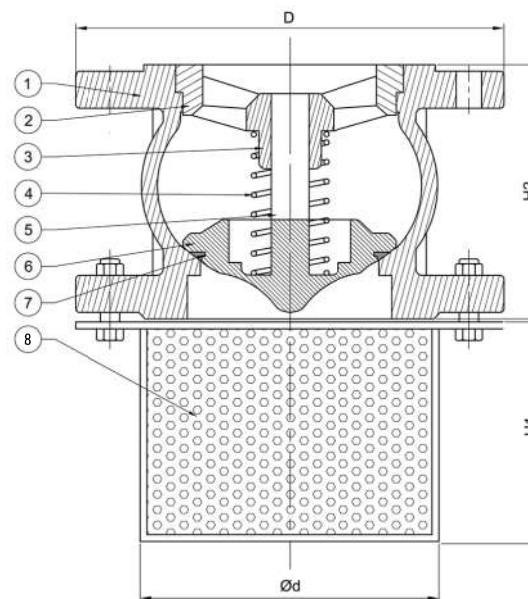
Suitable for water, oil and others non-abrasive media  
(Refer to corrosion resistance table for valve materials selection).

## SPECIFICATION

End Connection	Flanged End to DIN 2526 PN16
Pressure Rating	PN16
Working Temperature	Up to 90°C
Test Pressure (Hydrostatic)	Body - 24 Bar Seat - 17.6 Bar
Conforms:	BS EN 13445

## MATERIALS

PARTS	FIG. 151	FIG. 156
1. Body	Cast Iron EN-GJL-250	Stainless Steel CF8
2. Guide	Cast Iron EN-GJL-250	Stainless Steel CF8
3. Bushing	Brass	Stainless Steel SS 304
4. Spring	Stainless Steel	Stainless Steel SS 304
5. Stem	Stainless Steel	Stainless Steel SS 304
6. Disc	Cast Iron EN-GJL-250	Stainless Steel CF8
7. Disc Ring	NBR	Stainless Steel CF8
8. Screen	Stainless Steel 304	Stainless Steel SS 304



# FOOT VALVE

## CAST IRON / STAINLESS STEEL



**FIG 15**

## DIMENSIONS (mm)

Size (mm)	50	65	80	100	125	150	200	250
<b>D</b>	165	185	200	220	250	285	340	405
<b>Ød</b>	111	131	148	168	198	222	278	329
<b>H1</b>	80	100	120	150	175	200	250	300
<b>H2</b>	100	120	140	170	200	230	300	370

\*The specifications are subject to change without further notice