



APPLICATION

Suitable for water, sludge, oil and non-abrasive media
(Refer to corrosion resistance table for valve materials selection).

SPECIFICATION

End Connection	Wafer Type to suit ANSI B16.5 Class 150, EN 1092-2 PN16
Pressure Rating	Cast Iron Class 125 Carbon Steel and Stainless Steel Class 150
Working Temperature	Up to 150°C

CHECK VALVE WAFER SWING CAST IRON / CARBON STEEL / STAINLESS STEEL

MATERIALS

PARTS	FIG. 4W11	FIG. 4W12	FIG. 4W16	FIG. 4W17
1. Body	Cast Iron	A216 WCB	A351 CF8	A351 CF8M
2. Hinge Pin	AISI 420	A182 F304	A182 304	A182 316
3. Hinge Arm	A351 CF8	A351 CF8	A351 CF8	A351 CF8M
4. Seat	Viton	Viton	Viton	Viton
5. Clapper	A351 CF8	A351 CF8	A351 CF8	A351 CF8M
6. Spring	AISI 304	AISI 304	AISI 304	AISI 316

*Others material are available upon request.

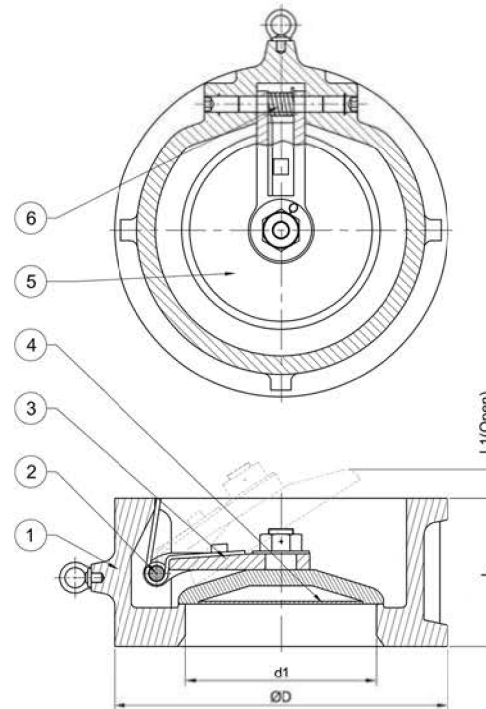


FIG 4W1

DIMENSIONS (mm)

Size	inch	2	2 ½	3	4	5	6	8	10	12	14	16	18	20	24
	mm	50	65	80	100	125	150	200	250	300	350	400	450	500	600
L (4W11)		45	48	51	57	64	70	73	80	86	108	108	108	140	152
L (4W12/4W16)		60	67	73	73	86	98	127	146	181	184	191	203	219	222
L1		29	30	56	75	95	114	158	187	222	229	248	298.5	324	387
d1		33	47	52	76	95	121	164	194	241	267	318	356	387	483
ØD		102	121	134	172	194	220	277	337	407	447	511	546	602	715
Weight (Kg)		1.8	2.4	3.2	5.4	7.3	9.2	14.6	23.6	34.4	75	91	100	154	250

*The specifications are subject to change without further notice