

## KPI & KP



### Type KP and KPI pressure switches

- ◆ Compact design
- ◆ Ideal for panel mounting
- ◆ Vibration proof
- ◆ Long operation life
- ◆ High contact load
- ◆ Ultra short bounce times
- ◆ High pulsation protection
- ◆ CE marked in accordance to EN 60947-4/-5

Technical data	KPI	KP
Media:	Liquid and gases	Gases (for liquids please contact Danfoss)
Media temperature:	-40°C to 100°C	-40°C to 100°C
Ambient temperature:	-40°C to 65°C (reduced life up to 80°C)	-40°C to 65°C (reduced life up to 80°C)
Enclosure:	IP30; with top cover or protection cap: IP44	IP30; with top cover or protection cap: IP44
Electrical connection:	Cable entry for diameters 6 mm to 14 mm	Cable entry for diameters 6 mm to 14 mm
Contact system:	SPDT	SPDT
Contact load:	AC-1 Ohmic: 10 A, 440 V	16 A, 400 V
	AC-3 (motor) 6 A, 440 V	16 A, 400 V
	AC14/15 (coil/transformer) 4 A, 440 V	10 A, 400 V
	DC-13/14 12 W, 220 V	12 W, 220 V
For more information:	See Datasheet DKACT.PD.P10.F	

#### Ordering – KPI, for liquids and gases

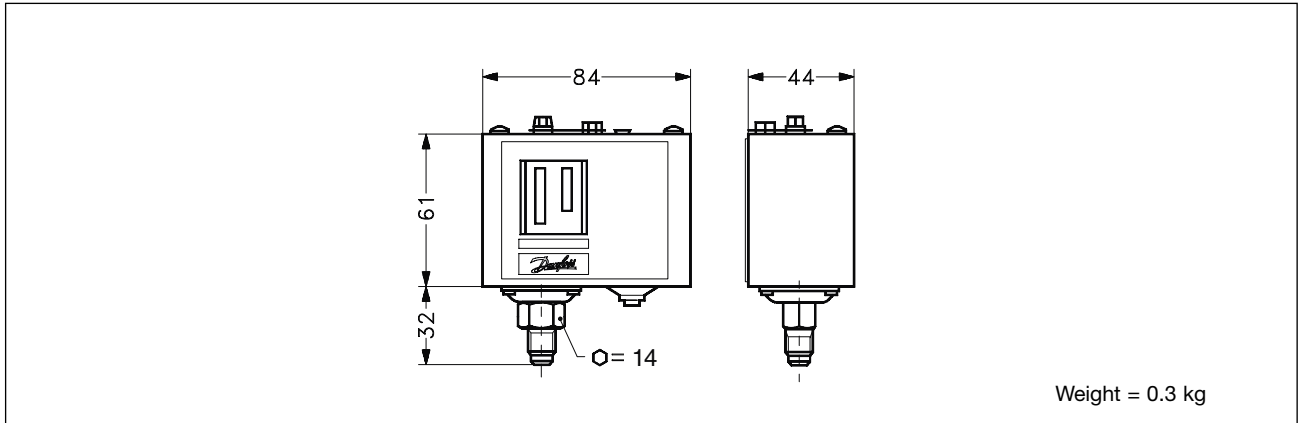
Setting range (rising pressure) (bar)	Adjustable differential (bar)	Permissible operating pressure (bar)	Pressure connection	Type	Code No.
-0.2 to 8	0.4 to 1.5	18	G $\frac{1}{4}$ "A	KPI 35	<b>060-1217</b>
-0.2 to 8	0.5 to 2	18	G $\frac{1}{4}$ "A	KPI 35	<b>060-1219</b>
4 to 12	0.5 to 1.6	18	G $\frac{1}{4}$ "A	KPI 36	<b>060-1189</b>
2 to 12	0.5 to 1.6	18	G $\frac{1}{4}$ "A	KPI 36	<b>060-3169</b>
8 to 28	1.8 to 6	30	G $\frac{1}{4}$ "A	KPI 38	<b>060-5081</b>

#### Ordering – KP, for gases (and water on a direct connection only – do not use capillary mounting)

-0.2 to 7.5	0.7 to 4.0	17	G $\frac{1}{4}$ "A	KP 35	<b>060-1133</b>
<del>-0.2 to 7.5</del>	<del>0.7 to 4.0</del>	<del>17</del>	<del>G<math>\frac{1}{4}</math>"A</del>	<del>KP 35</del>	<del><b>060-5047*</b></del>
2 to 14	0.7 to 4.0	17	G $\frac{1}{4}$ "A	KP 36	<b>060-1108</b>
2 to 14	0.7 to 4.0	17	G $\frac{1}{4}$ "A	KP 36	<b>060-1137*</b>
<del>4 to 12</del>	<del>0.5 to 1.6</del>	<del>17</del>	<del>G<math>\frac{1}{4}</math>"A</del>	<del>KP 36</del>	<del><b>060-1221</b></del>
4 to 12	0.5 to 1.6	17	G $\frac{1}{4}$ "A	KP 36	<b>060-1144*</b>

\* KP with gold plated contacts (use contact load specification of KPI)

### Dimensions and weight



### Accessories

Part		Description	Quantity per set	Code No.
Brackets with mounting screws and washers		Wall bracket for KP	10	<b>060-1055</b>
		Angle bracket for KP (not recommended for areas where vibrations occur)	10	<b>060-1056</b>
		4-off screws M4x5 + 4-off washers	1	<b>060-1054</b>
Cable entry		Screwed cable entry Pg 13.5 with special nut. For 6-14 mm cables. A standard Pg 16 screwed cable entry can be used for 6-18 mm cables.	5	<b>060-1059</b>
Top cover		If a bracket is mounted on the backplate of the housing, the KP pressure control will have an IP 44 grade of enclosure. The cover covers the setting spindles.	10	<b>060-1097</b>
Protective cap		Protective cap for KP pressure controls. To protect the unit against rain and humidity. Grade of enclosure: IP44 Material: Polyethylene Max. ambient temperature: +65°C Min. ambient temperature: -40°C	7	<b>060-0031</b>
Sealing screw		For sealing the setting on KP only	20	<b>060-1057</b>

For pressure connection adaptors see page 56